



Bill Acceptor _____

A6 / V6 *Series*

_____ Installation Guide



Use of Materials Limitations

International Currency Technologies Corporation (ICT) all rights reserved.

All materials contained are the copyrighted property of ICT.

All trademarks, service marks, and trade names are proprietary to ICT.

ICT reserves the right at all times to disclose or to modify any information as ICT deems necessary to satisfy any applicable law, regulation, legal process or governmental request, or to edit, refuse to post or to remove any information or materials, in whole or in part, in ICT's sole discretion.

Contents

1. Introduction	
1-1. Overview	2
1-2. Features	2
2. Specifications	2
3. Packing List	3
4. Dimension	4
5. Installation	
5-1. Harness Application	5
5-1-1. I/O Circuit	14
5-2. DIP Switch Setting	17
5-3. Software Download and Upgrade	17
6. Maintenance	18
7. Troubleshooting	19

1. Introduction

1-1. Overview

A6/V6 Series is a bill acceptor which features not only high-security module with bill box but also outstanding recognition, acceptance rate up to 96% or even greater.

1-2. Features

- Four way bill insertion acceptance.
- Auto-calibrating.
- Numerous interfaces available.
- Easily Install & Maintain.

2. Specifications

General

Acceptance Rate	96 % or greater
Bill Insertion	Four way acceptable
Transaction Speed	Approx. 3 seconds to stack
Interface	A6: STD Pulse, 5V ENABLE, ICT Protocol V6: MDB



Installation: Indoor use only!!

Electrical

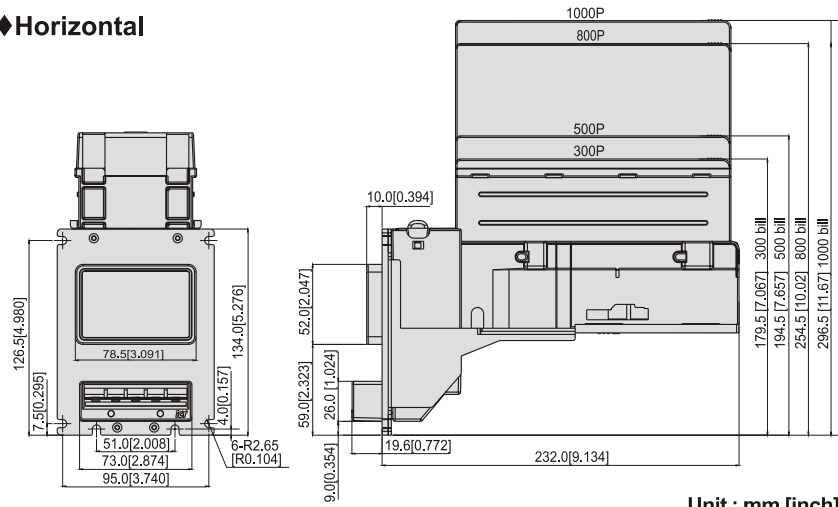
Power Source	A6: 12V DC±5% 117V Ac±10% V6: 34V DC ±5%
Power Consumption	50 watts maximum
Operation Environment	Operation Temperature: 0°C~55°C Storage Temperature : -30°C~70°C Humidity: 30%~85% RH(no condensation)
Mechanical	
Bill Capacity	Approx. 300 bills (200~ 300) 500 bills (300~ 500) 800 bills (750~ 850) 1000 bills (1000~1140)
Weight	Approx. 2kg (shipping)
Outline Dimension	Refer to page. 4

3. Packing List

Main	Bill Acceptor
Accessory	Harnesses: Refer to 5-1 A6/V6 Installation Guide A6/V6 Switches Setting Guide

4. Dimension

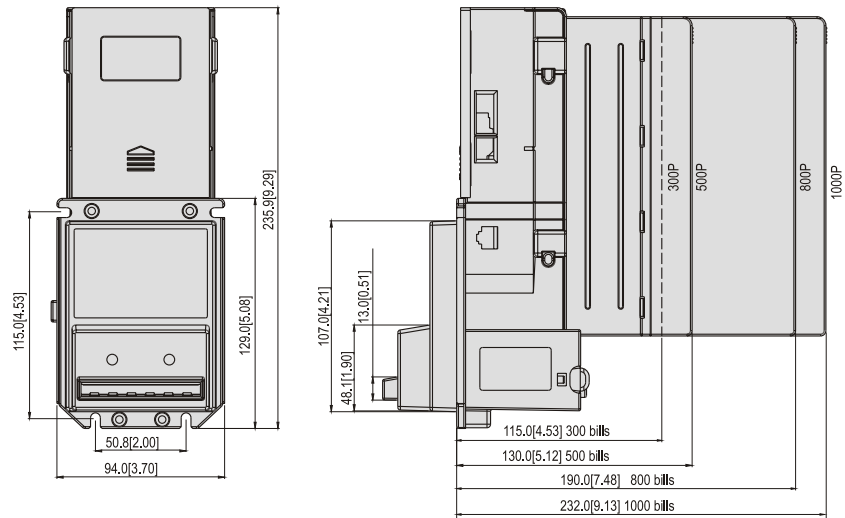
◆Horizontal



Unit : mm [inch]

4 FIG. 01

◆Vertical



Unit : mm [inch]

4 FIG. 02

5. Installation

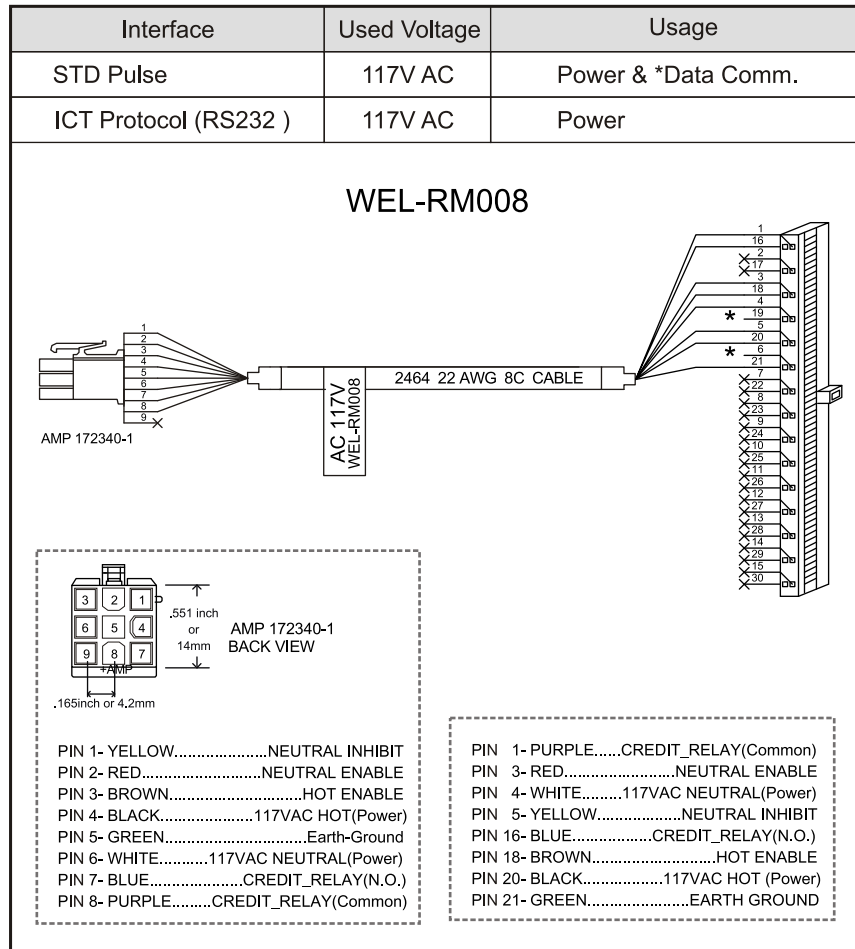
5-1. Harness Application

5-1 TABLE 01

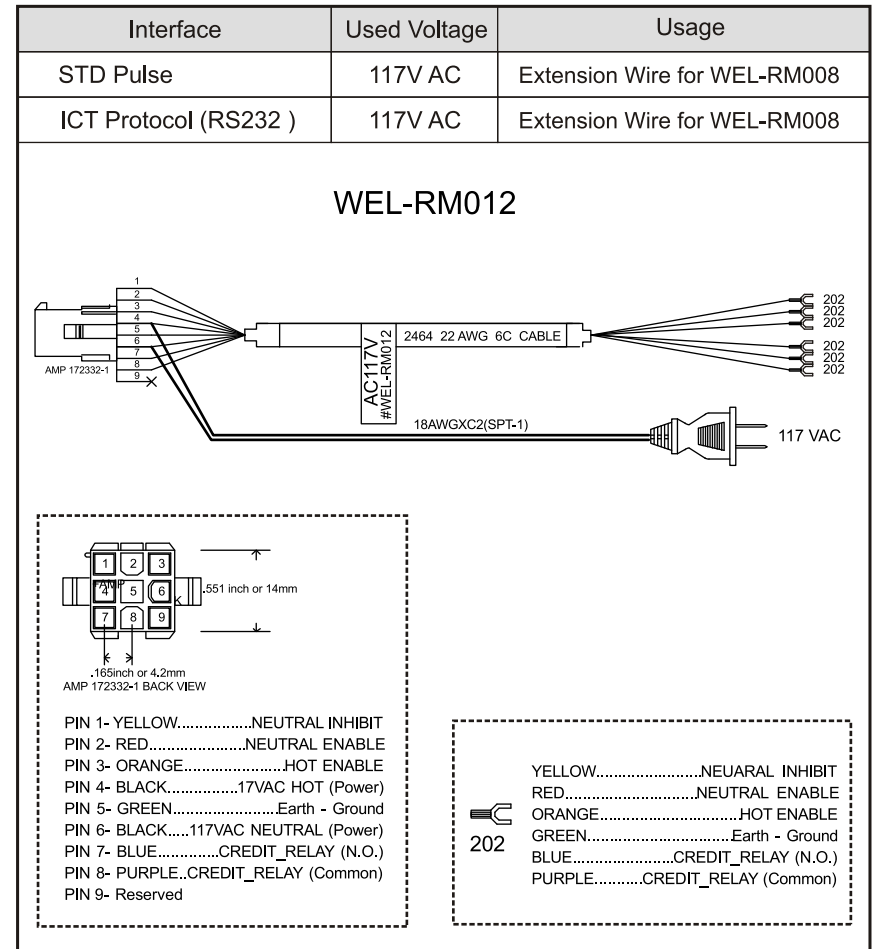
Model	Interface	Used Voltage	Usage	Harness	Page
A6	STD Pulse	117V AC	Power & *Data Comm.	WEL-RM008	6
			Extension Wire	WEL-RM012	7
	12V DC	Power & *Data Comm.	WEL-RM007	8	
		Extension Wire	CU-R961-1	9	
	5V Enable	117V AC	Power & *Data Comm.	WEL-RM017	10
			Extension Wire	WEL-RM018	11
	ICT Protocol (RS232)	12V DC	Power	WEL-RM007	8
			Extension Wire	CU-R961-1	9
117V AC		*Data Comm.	WEL-RV706	12	
		Power	WEL-RM008	6	
V6	MDB	34V DC	Power & *Data Comm.	WEL-RM006	13

*Data Comm. : Data Communication.

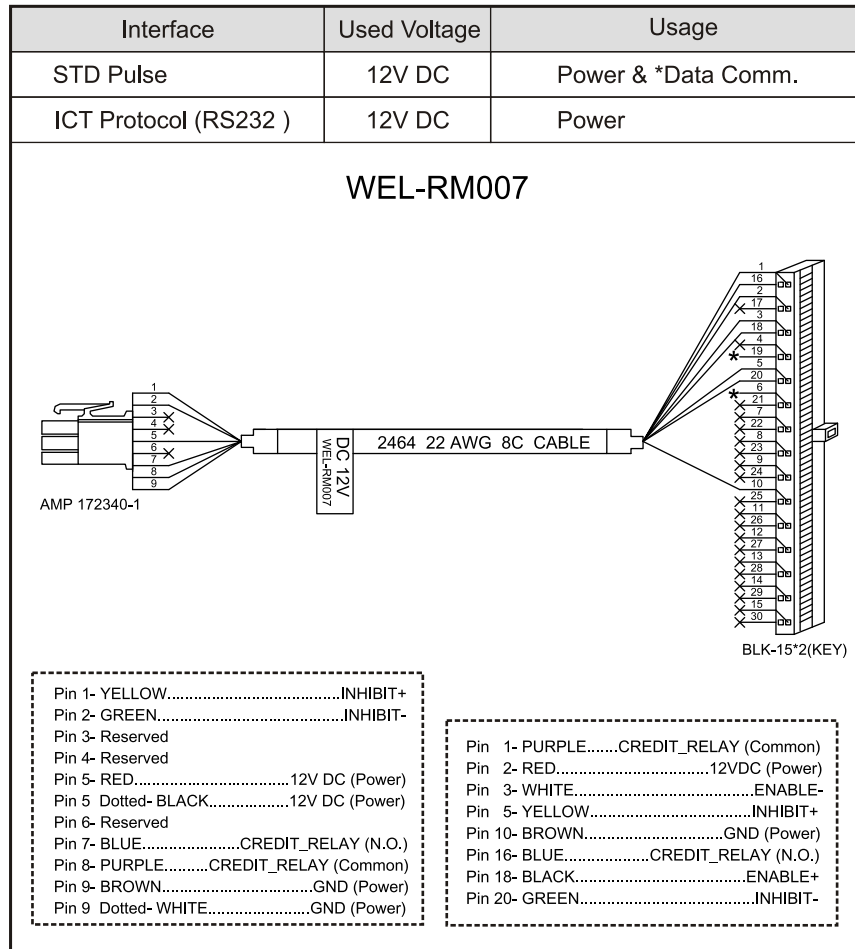
5-1 FIG. 01



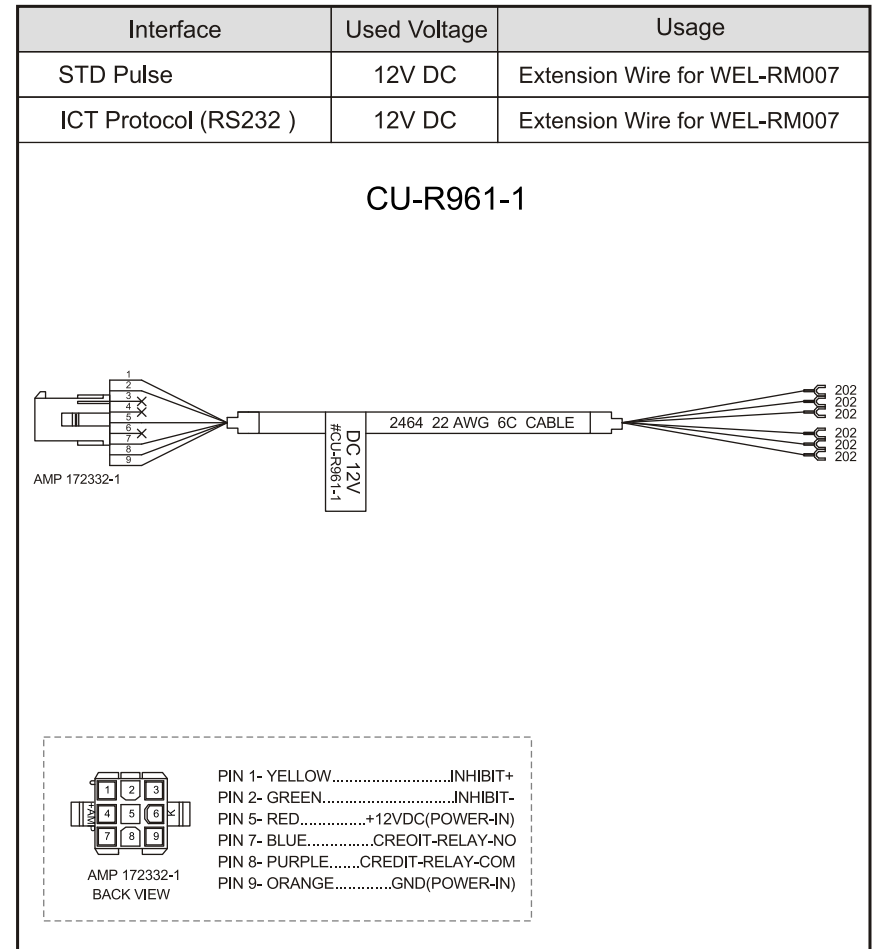
5-1 FIG. 02



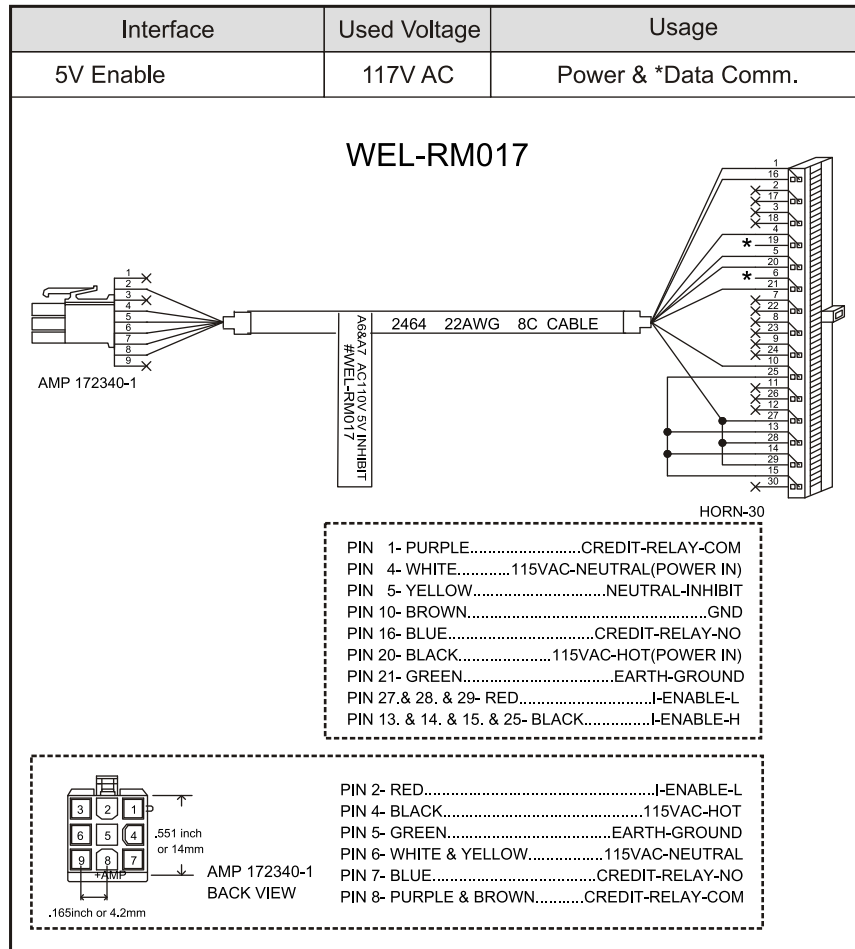
5-1 FIG. 03



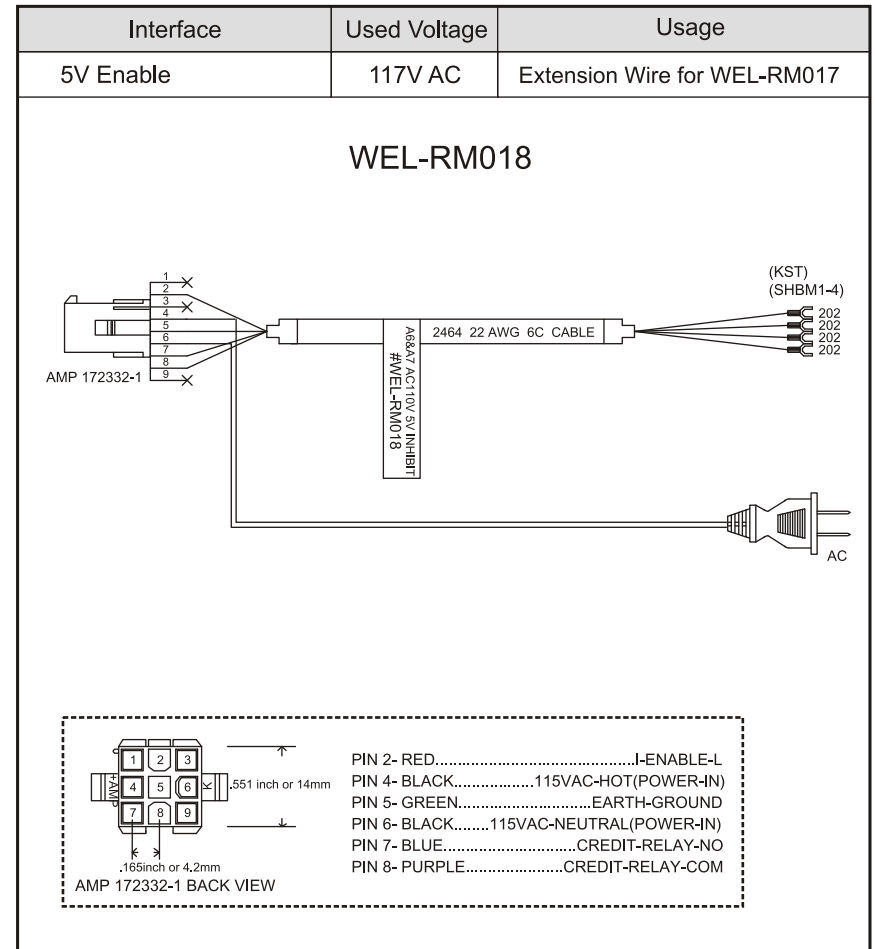
5-1 FIG. 04



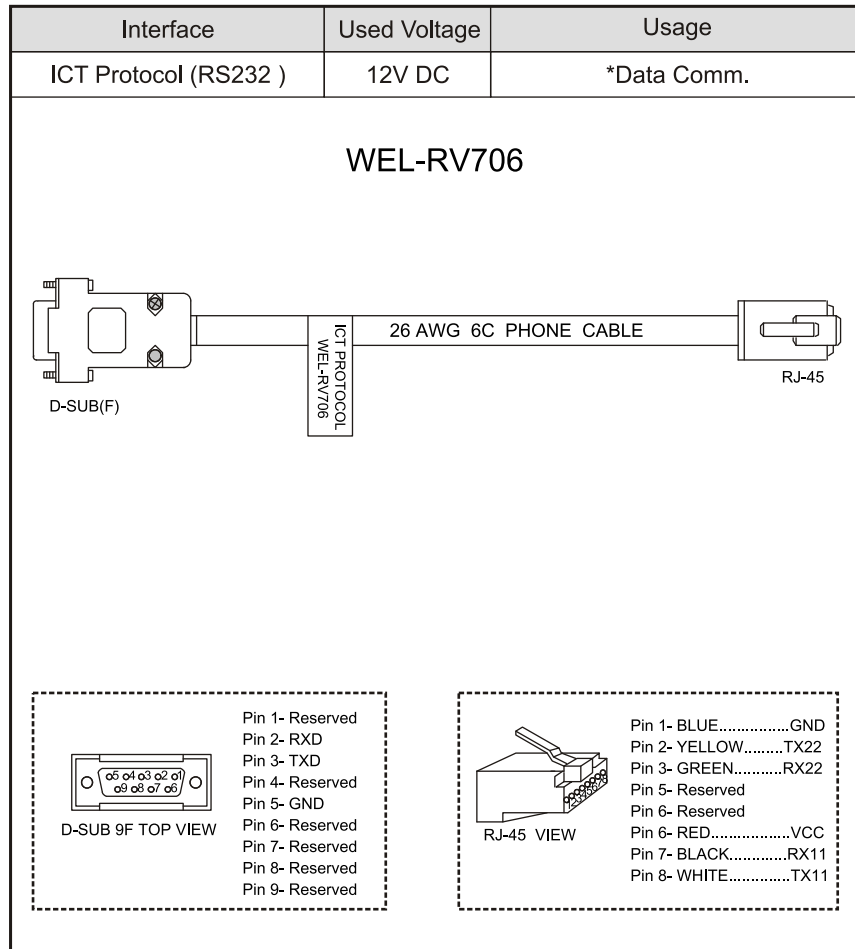
5-1 FIG. 05



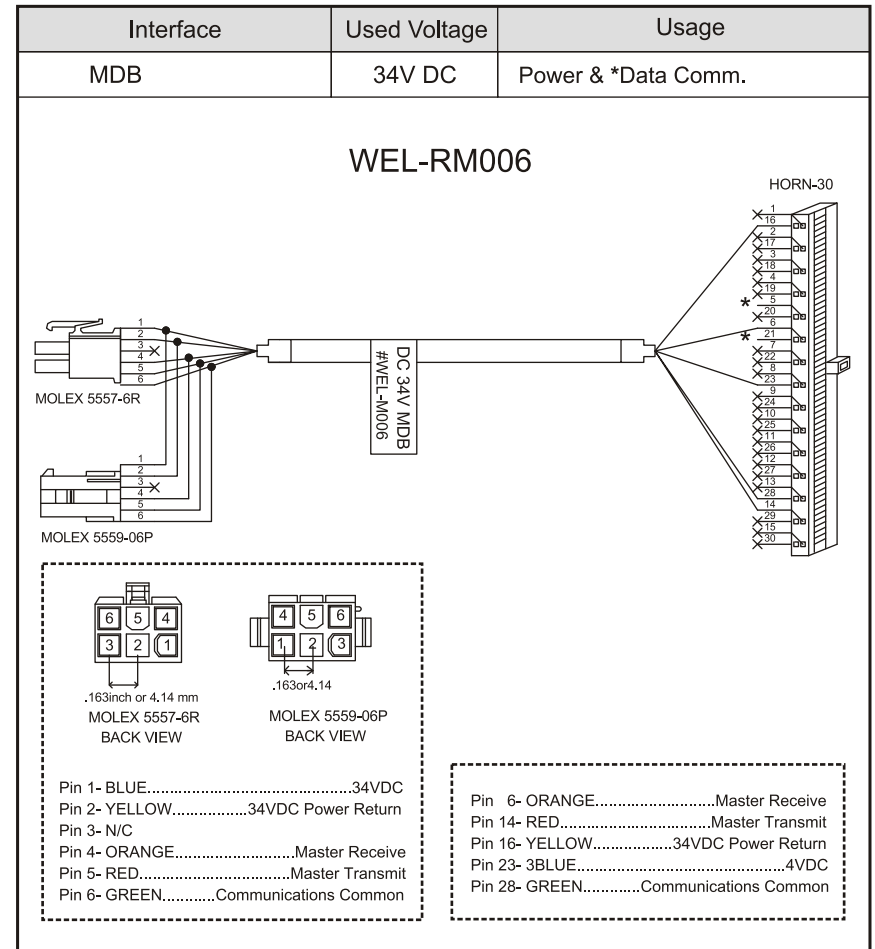
5-1 FIG. 06



5-1 FIG. 07



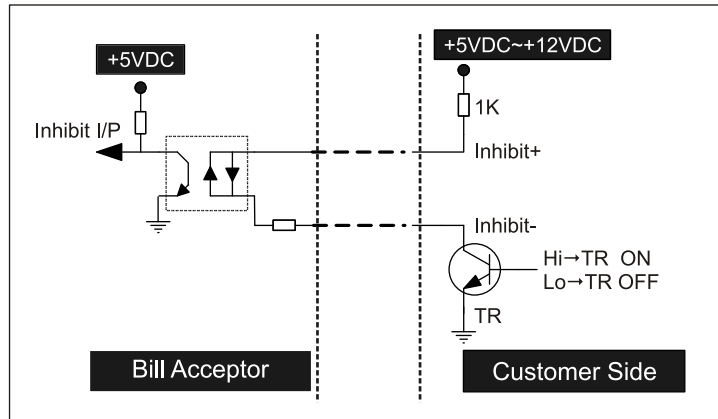
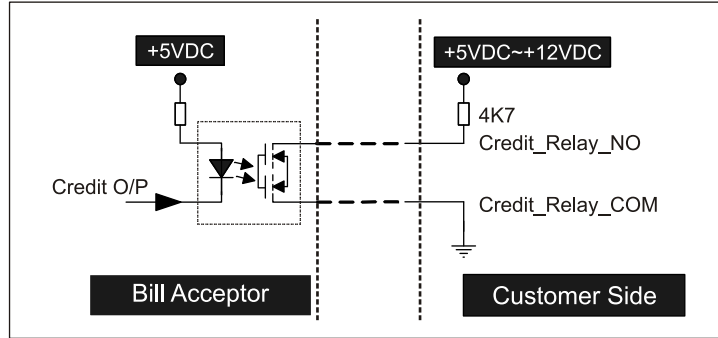
5-1 FIG. 08



5-1-1. I/O Circuit

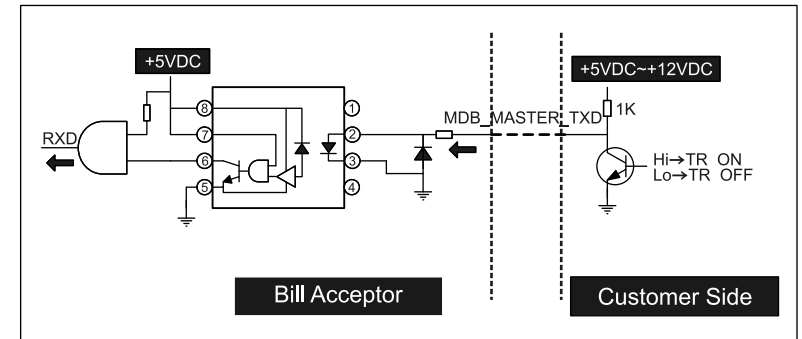
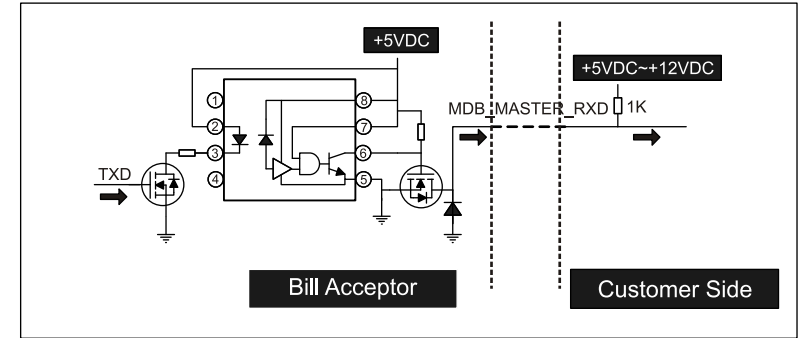
Pulse Interface

5-1-1 FIG. 01



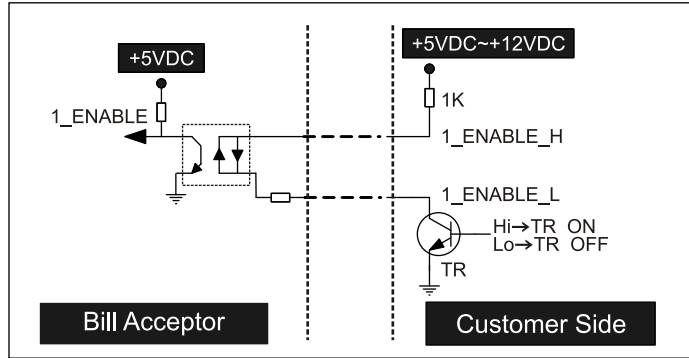
MDB Interface

5-1-1 FIG. 02



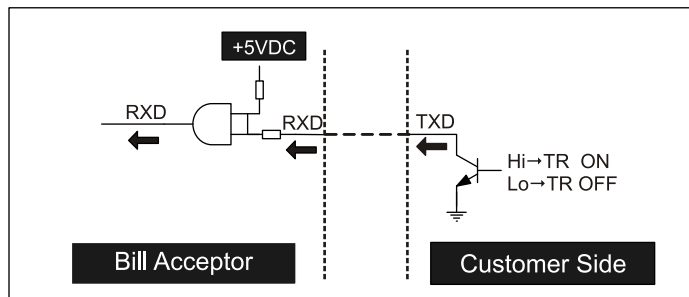
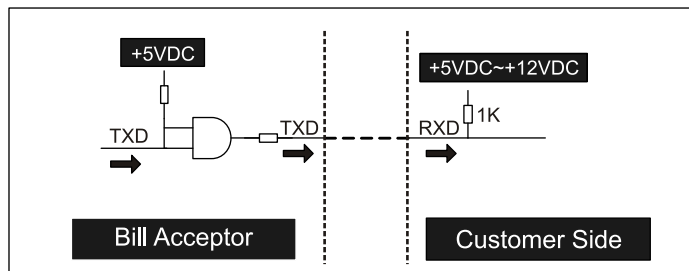
5V Enable Interface

5-1-1 FIG. 03



ICT-Protocol Interface

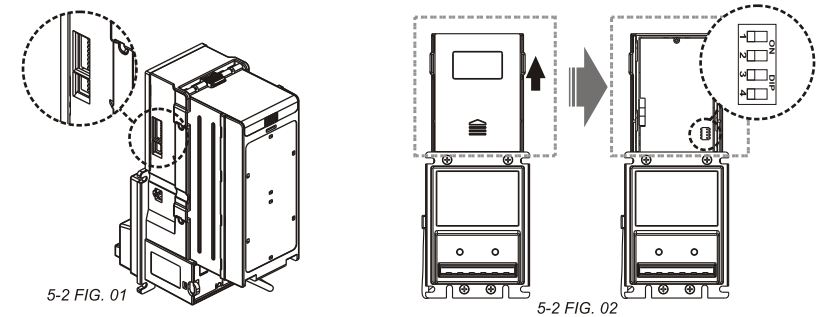
5-1-1 FIG. 04



5-2. DIP Switch Setting

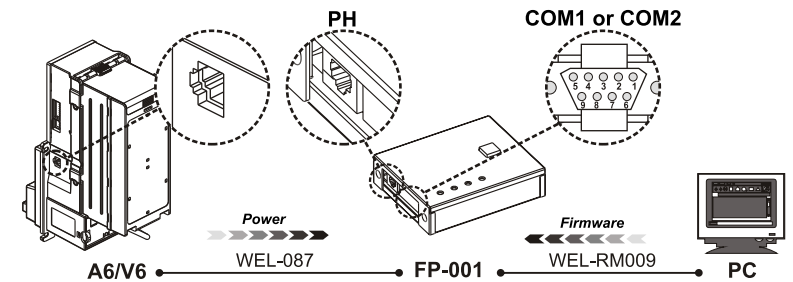
There are two serial DIP switches which are set on the side of A6/V6 series (as FIG.01). According to different currencies which are used by users, DIP switch settings could be varied to fit users' needs. There is also a serial DIP switch on the base of the unit for inside interface settings (as FIG.02).

Please refer to "A6/V6 series DIP Switch Setting Guide" in the package for more details.



5-3. Software Download and Upgrade

To download and upgrade the software to A6/V6 Series, the programmer (FP-001) is needed. Please contact ICT to purchase FP-001 and refer to FP-001 user guide for software download and upgrade information.



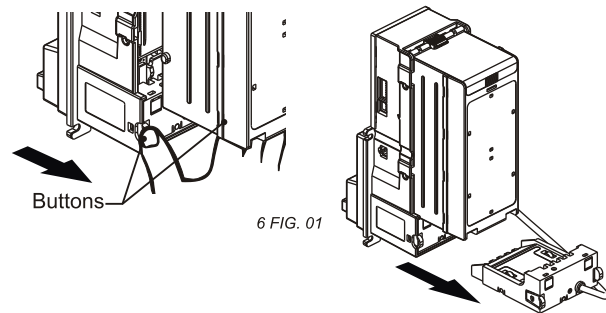
Please turn on Bill Acceptor after connecting.

6. Maintenance

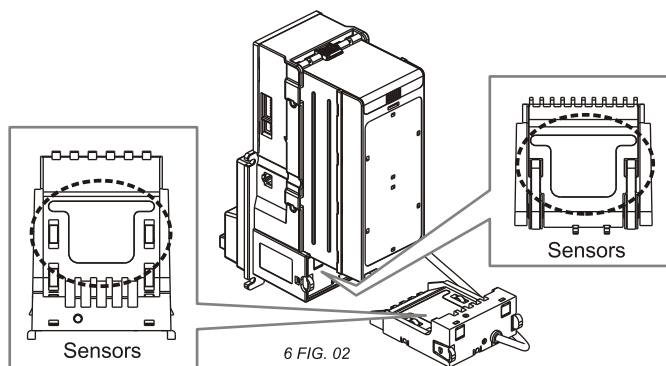
To make sure the bill acceptor always works smoothly, please clean the internal parts every two weeks to every two months.

To clean the internal parts:

1. Press the buttons on the sides of bill path unit and pull the unit out.



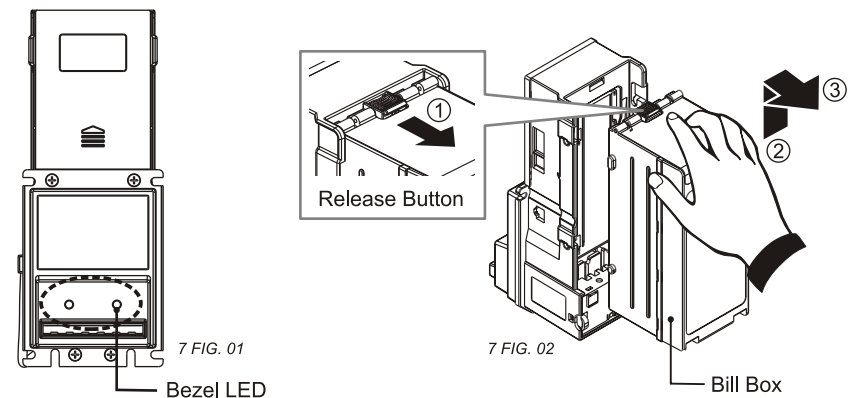
2. Use a soft, dry cloth or towel to clean the bill path and sensors.



Maintenance Notice
(Any improper maintenance will invalidate the warranty.)

Recommended	Mild, non-abrasive, soap water.
DO NOT USE	Organic solvent , Alcohol, Volatile liquid.

7. Troubleshooting



LED Flashes	Status	Corrective Actions
1	Bill jammed.	Remove the bill box by sliding the top button and the bill path unit (as FIG.02), and then remove the jammed bill.
3	Recognition sensor error.	Inspect for foreign objects on sensor or bill path and clean.
3+2	Hook sensor error.	Inspect for foreign objects on security hook and clean.
3+5 (Optional)	Out sensor error.	Inspect for foreign objects on sensor or bill path and clean.
2	Disable	Inspect for right DIP switch setting.
5	Bill box has been removed.	Replace the bill box.
6	Stacker error or stacker full.	Empty the bill box.
7	Motor error.	Inspect for foreign objects on bill path and clean.

If the error can not be solved after corrective actions or happen again, please contact ICT for technical support.

ict Taiwan

International Currency Technologies Corporation

Ji-Hong Building, No 24, Alley 38, Lane 91, Nei-hu Rd., Sec. 1, Taipei, Taiwan, R.O.C.

Tel: 886-2-2797-1238 · Fax: 886-2-2797-1634

sales@ictgroup.com.tw (For Sales)

rma@ictgroup.com.tw (For Customer Service)

Website: www.ictgroup.com.tw